

# AJC Hydraulic Generator



**The Easiest  
Method Of  
Providing  
Electrical Power  
To Access  
Platforms**



# Platform Power Pack Overview

AJC Hydraulic Generator is an onboard power supply system that links into the platforms hydraulic system converting hydraulic power into 110/230v electrical supply (three phase outputs and welder generator options available on request).

The output socket is mounted in the platform basket which increases productivity by facilitating the use of free standing tools enabling them to move with the machine and be more accessible to the operator.

With power always on tap within the platform, working conditions are improved by making work less strenuous hence reducing operator fatigue, reducing the chance of injury.

By utilising a single power source, on site job noise is reduced along with emissions and fuel consumption.

The Hydraulic Generator is virtually maintenance free.

# Why Choose Platform Power Pack?

Provides the easiest way to run tools and other electrical equipment

Very secure compared to standalone petrol / diesel generators which are prone to theft (intrinsic value)

AJC Hydraulic Generator uses the main lifting platform generator - why have a second engine running?

Easy to instal and secure / Virtually no maintenance



# Comparing power formats



**Invertors**



**Engine driven generators**



**Belt driven**



**AJC Hydraulic Generator**

## Technology

### Overall suitability as a platform power supply

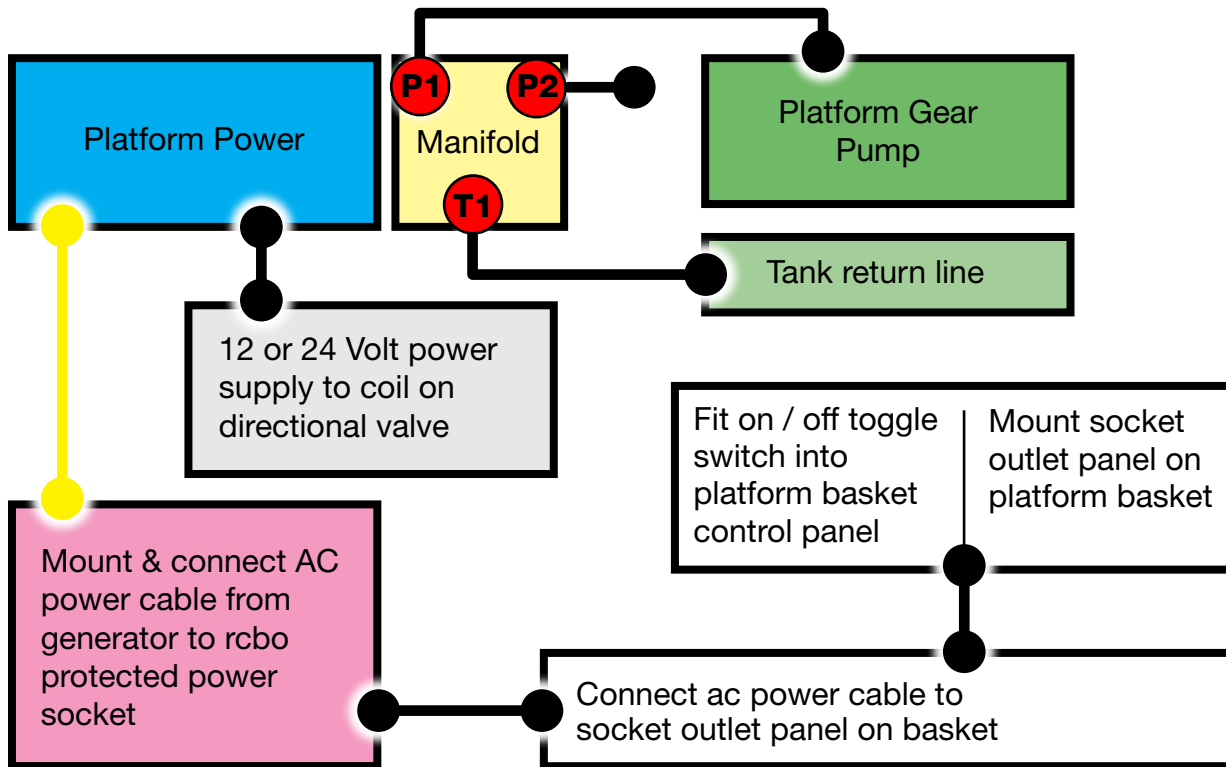
What appears to be a low cost solution is actually a poor choice due to battery damage and usability issues

Suffers from the extremely high issue of theft and poor worker productivity

An excellent approach if the lifting platform can be adapted

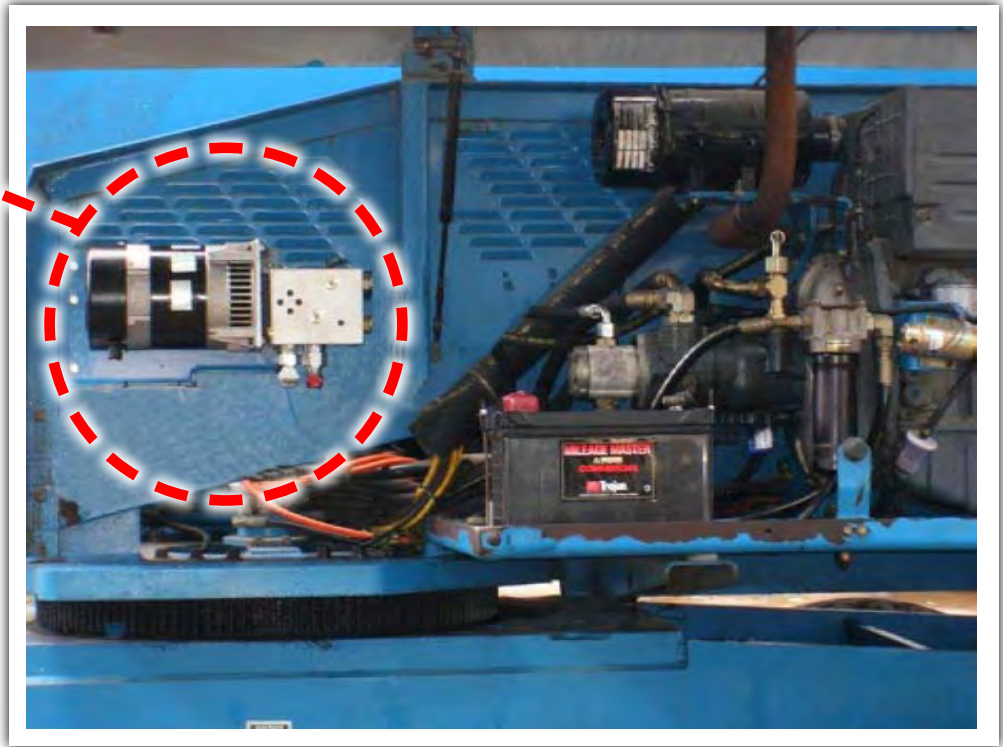
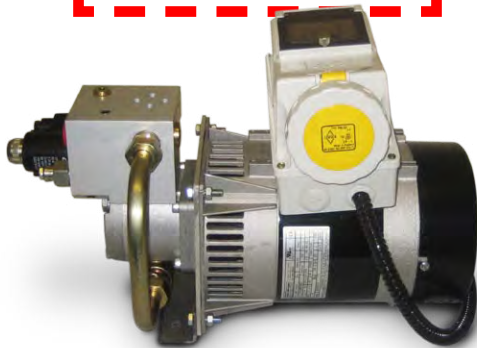
The perfect power supply for access platforms

# Easily Installed in 7 steps



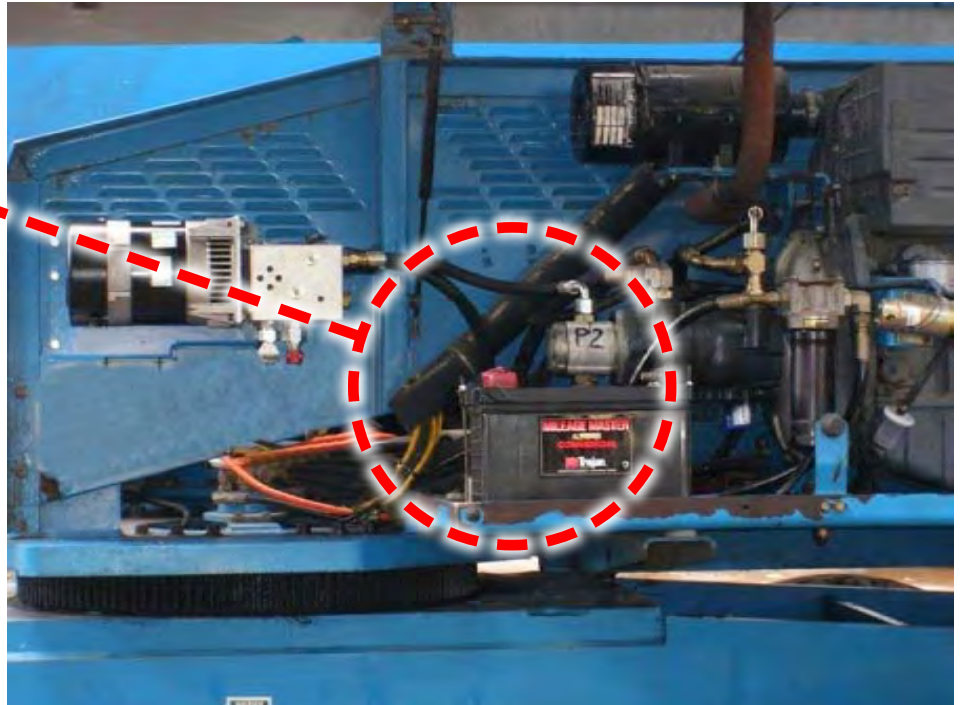
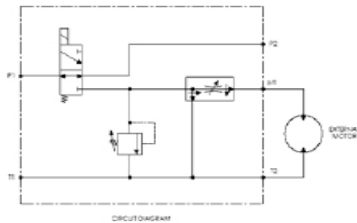
# Stage 1: Position and Mount

Hydraulic Generator mounted in most appropriate location near to platform gear pump



# Stage 2: P1P2 hydraulic Connection

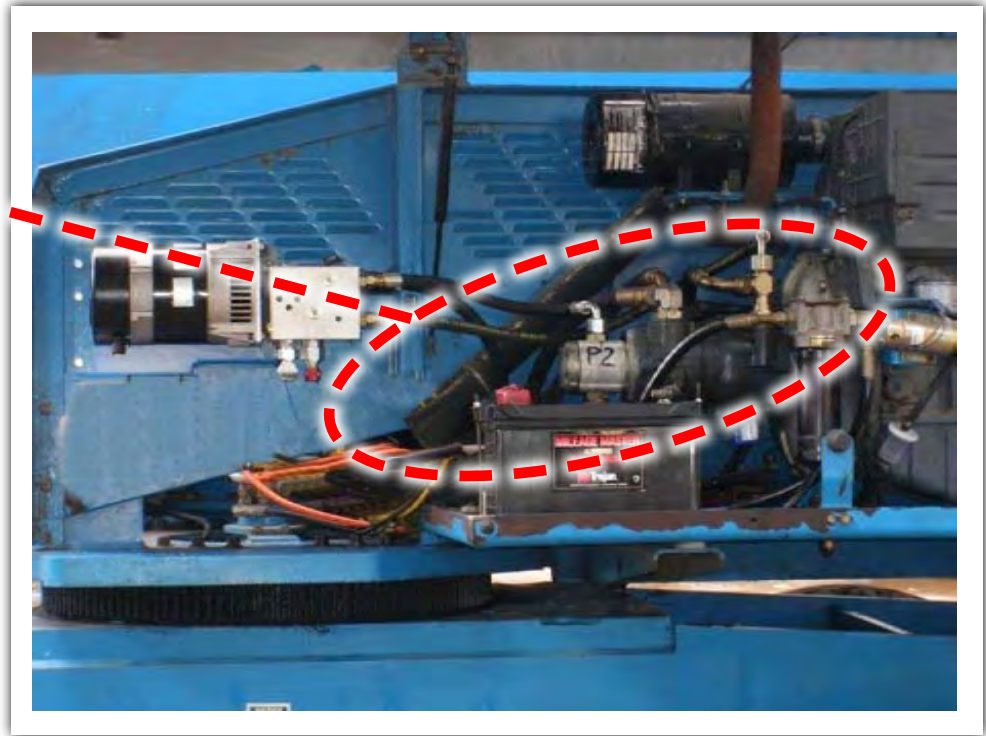
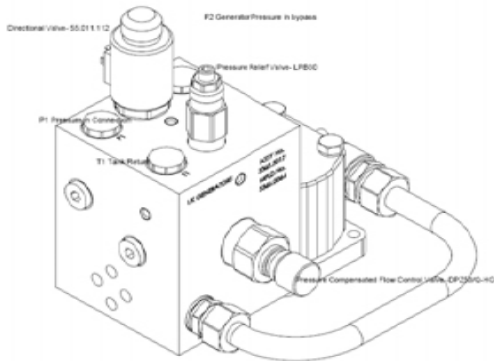
Hydraulic connections made. Main flow from gear pump into P1 and out of P2. Due to the variable nature of connection termination and pipe length pipes are not supplied as standard



# Stage 3: T1 Return to Tank

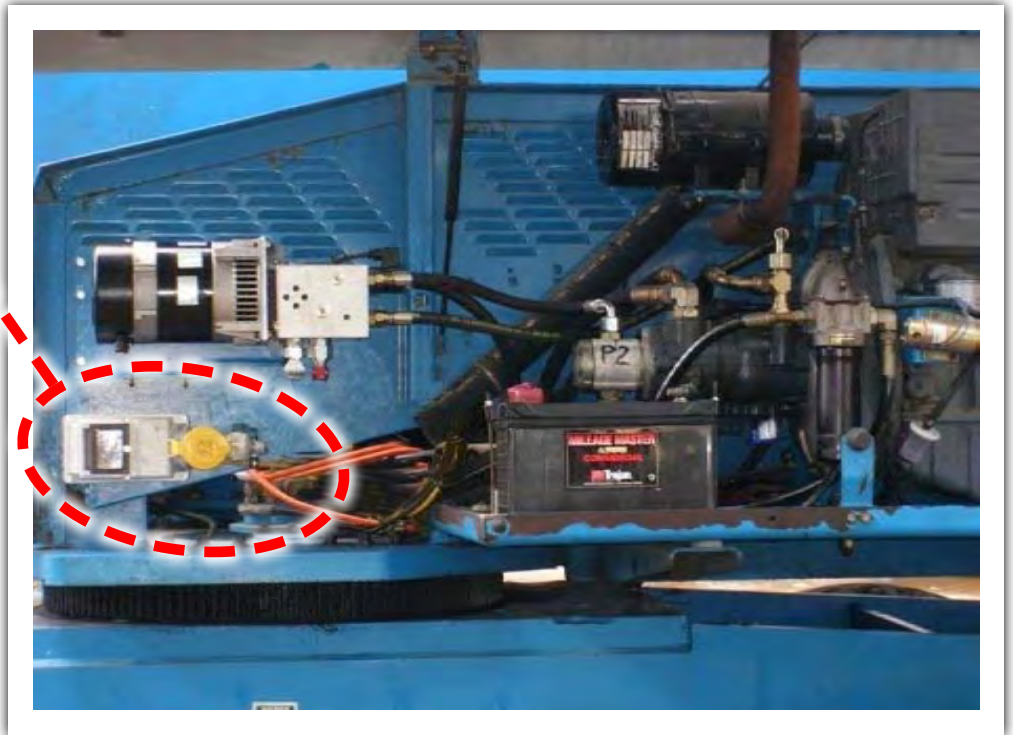
T1 = return to tank

Tee into the nearest  
and most accessible  
tank return line



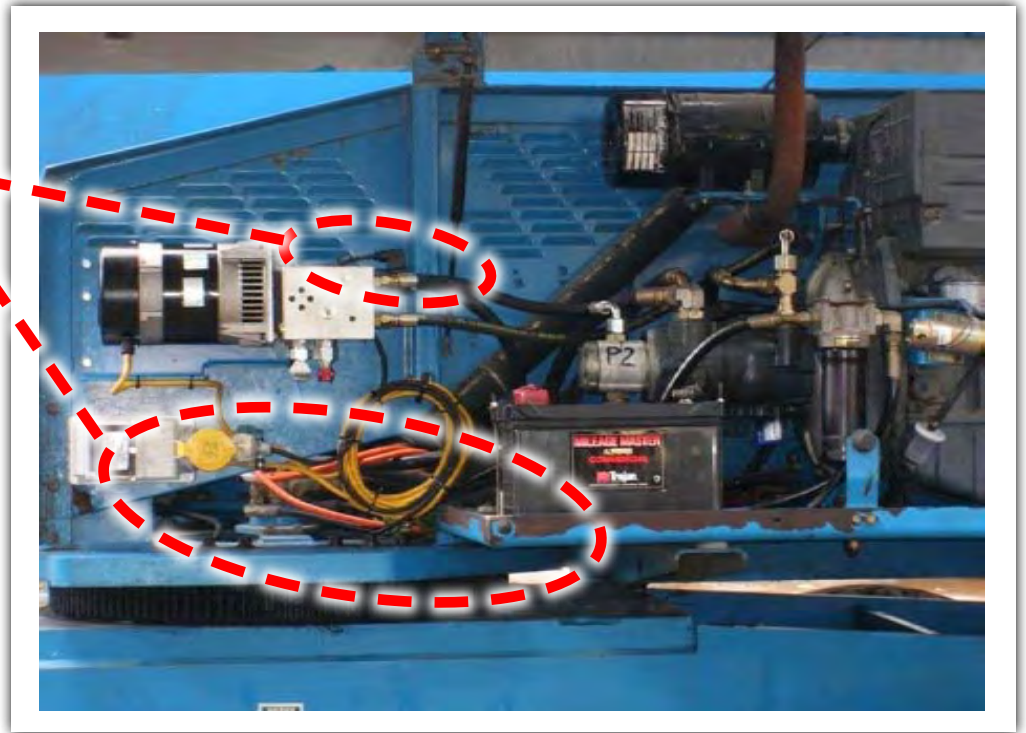
# Stage 4: Mount RCBO Socket

Mount RCBO protected socket



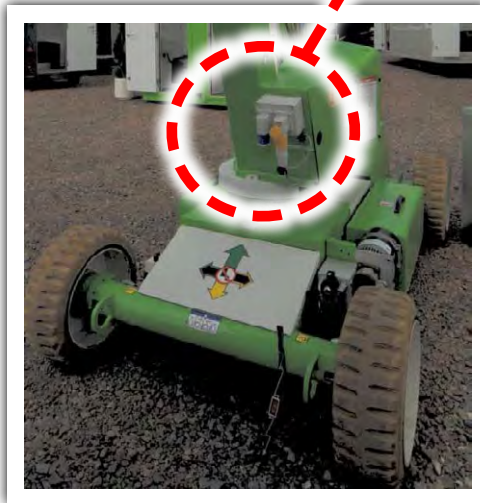
# Stage 5&6: Connect AC & dc

Hydraulic  
Generator  
mounted in  
most appropriate  
location near  
to platform gear  
pump

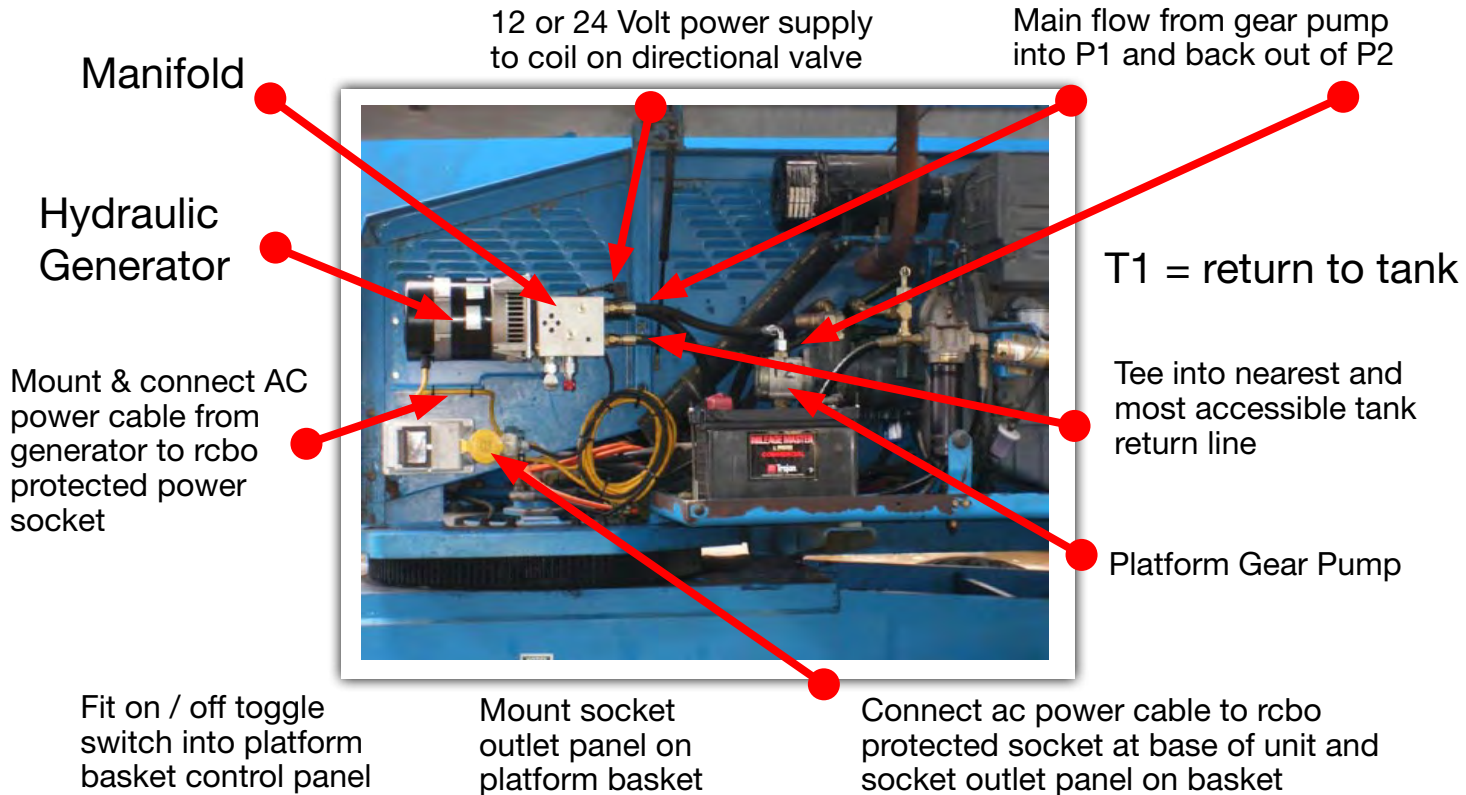


# Stage 7: Platform Connections

Hydraulic Generator Power Supply mounted on easily accessible location on platform



# Hydraulic Generator Complete Assembly



# Where to Use

The AJC Hydraulic Generator can be installed on a wide range of Access equipment

Any engine driven scissor lift, boom or cherry picker (engine powered) where power is required to operate electrical tools and equipment in the platform basket and where hydraulic flow permits



Picture Courtesy of NIFTYLIFT

# Included with AJC Hydraulic Generator

Hydraulic generator with mounting bracket

IP44 RCBO protected socket outlet and plug

Socket outlet for basket mounting

Fixings provided

## Specialist components also available

Generator mounting bracket and fittings

Hydraulic hoses and fittings

Toggle switch

# Hydraulic Generator is installed on

The logo for SKYJACK, featuring the word "SKY" in blue and "JACK" in blue, with a red stylized "Y" shape between them.The logo for Genie, featuring the word "Genie" in blue with a registered trademark symbol, and "A TEREX COMPANY" in smaller blue text below it.The logo for JLG, featuring the letters "JLG" in a bold, orange, sans-serif font with a registered trademark symbol.The logo for Haulotte Group, featuring the word "Haulotte" in white on a black background, followed by a red and white arrow graphic, and "GROUP" in white below it.The logo for nifty lift, featuring the word "nifty" in a green, lowercase, sans-serif font and "lift" in a grey, lowercase, sans-serif font.The logo for AJC Hydraulic Generator, featuring the letters "AJC" in a large, white, bold font and "Hydraulic Generator" in a smaller, white, sans-serif font to its right.The logo for IPAF Member, featuring the letters "IPAF" in a bold, black font with a yellow background, and "Member" in a smaller, black font below it.The logo for ISO 9001 Registered Firm, featuring a blue checkmark, the letters "QM S", and "ISO 9001 REGISTERED FIRM" in a small, black font.

[ajchdraulicgenerators.co.uk](http://ajchdraulicgenerators.co.uk)

# About AJC Power Solutions



**AJC Power Solutions** specialise in the design, manufacture and supply of innovative power generation solutions.

**AJC Power Solutions** are exclusive UK distributors for

- EuroPower BVPA & Inmesol

**AJC Power Solutions** are UK distributors for

- the Telair range of RV generators

**AJC Power Solutions** are Manufacturers of

- **Low Carbon Power Solutions**

# Contact details



**Unit 10, Cosgrove Way,  
Luton, Bedfordshire, LU1 1XL  
Tel: 01582 486663**

**info@ajchydraulicgenerators.co.uk  
www.ajchydraulicgenerators.co.uk**

**AJC Hydraulic  
Generator**



**ajchydraulicgenerators.co.uk**